



Q-DRIVE
MV-ML LITE

Medium Voltage Drives
for High Performance
Energy Saving Processes

DANIELI AUTOMATION

Q-DRIVE MV-ML LITE

Applications

- > Pumps
- > Fans
- > Compressors
- > Conveyors
- > Extruders and separators
- > Kilns
- > Grinders
- > Shredders

The Q-DRIVE MV-ML LITE is a series of medium-voltage, variable-frequency drives for applications where reliability, performance and easy maintenance are fundamental requirements. Built around the most up-to-date IGBT technology, the multi-level structure makes it suitable for driving any motor (old or new) at variable speed up to 11 kV and up to 20 MW.

Its unique features, compact construction and proven efficiency make it the right choice for any application in the field of metals, mining, water and fumes treatment, and in general in process industry.

The high power quality at its output makes it the ideal solution for retrofitting an existing motor to variable speed for energy saving, especially when driving fans and pumps. Its multi-pulse phase shifted integrated transformer reduces grid harmonics to a minimum, in full compliance with the most severe norms and grid codes.

System highlights

- > Q-DRIVE MV-ML LITE is available in standard Front Access Only cabinet and for some sizes also in the more compact Double Front Access version
- > Ready-to-connect cabinet unit for cost effective solutions
- > Design focused on easy maintenance and quick power module replacement
- > Modular design with up to 9 CHB power cells for each phase for 11kV converter series
- > Cabinet design focused on safety
- > Fully-digital vector closed-loop control and open loop sensorless for synchronous and induction motors
- > High degree of efficiency
- > High control accuracy and dynamic response
- > Extremely low line harmonics spectrum
- > Extremely reliable in operation and almost maintenance-free
- > Simple operator control and monitoring
- > Advanced diagnostic and maintenance functionalities
- > Fast parameterization and signal tracing with converter operator panel and PC based Q-DRIVE Configurator Tool
- > Maximum flexibility and optimum interaction with existing automation overriding control system
- > Various Fieldbus Interfaces are available
- > Users could add their own programs in CodeSys for any additional need
- > Inbuilt remote access for Teleservice option
- > IBA interface as option
- > Several options available for customization of the MV drive system

Q-DRIVE MV-ML LITE - Technical data

Rated voltage	3.3 - 4.16 - 6.6 - 11 kV
Output power range	210 kW to 20 MW
Output rated current	40 to 1,445 A
Overload capacity	120% for 2 minutes
Output frequency	0 to 80 Hz
Cabinet protection degree	IP31 as standard

Rated output current - 2Q version (A)

3.3 kV	4.16 kV	6.6 kV	11 kV
40	40	40	40
48	48	48	48
61	61	61	61
77	77	77	77
96	96	96	96
130	130	130	115
154	154	154	130
173	173	173	154
192	192	192	165
220	220	220	192
243	243	243	205
275	275	275	243
304	304	304	275
340	340	340	304
400	400	400	325
425	425	425	364
500	500	500	400
550	550	550	462
600	600	600	500
660	660	660	600
750	750	750	800
800	800	800	1,000
960	960	960	1,250
1,200	1,200	1,200	1,445
1,250	1,250	1,250	-



1



2

- 1 Water cooled cell
- 2 Transformer cabinet
- 3 Cabinet panels
- 4 Power cells cabinet
- 5 Q-DRIVE MV-ML LITE converter topology (shown 6.6 kV output type)

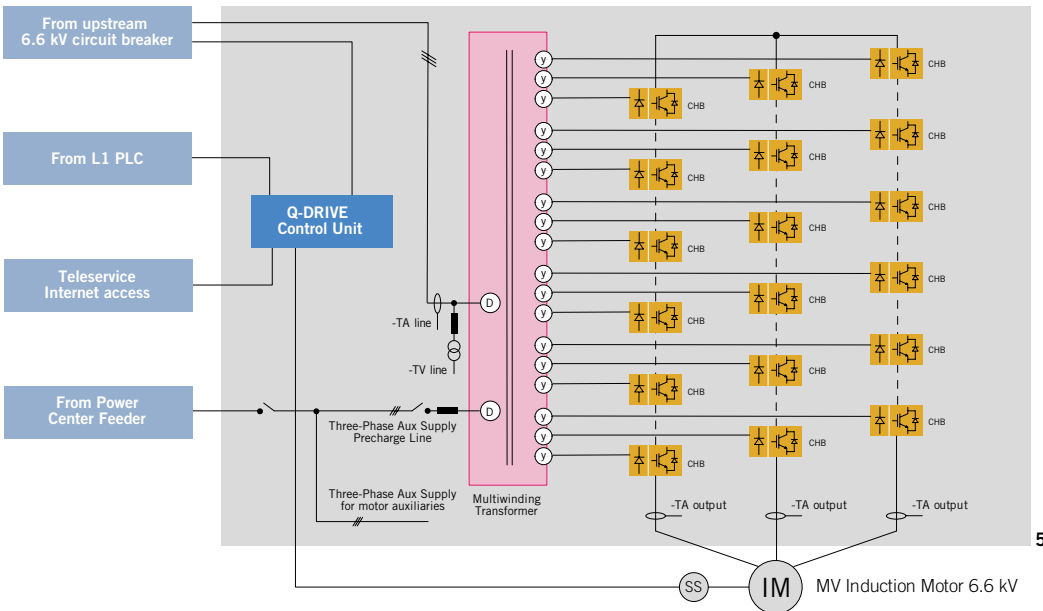


3



4

Q-DRIVE MV-ML LITE converter cabinet



5

DANIELI HEADQUARTERS**DANIELI**

Via Nazionale, 41
33042 Buttrio (UD) Italy
Phone +39 0432 195 8111
www.danieli.com
info@danieli.com

DANIELI AUTOMATION

Via Bonaldo Stringher, 4
33042 Buttrio (UD) Italy
Phone +39 0432 518 111
www.dca.it
info@dca.it

WORLDWIDE DANIELI COMPANIES**AUSTRIA**

Max Planck Strasse, 5
A - 9100 Völkermarkt
Tel (43) 4232.51440.6101
info@austria.danieli.com

UNITED KINGDOM

4 Ignite, Magna Way
Rotherham S60 1FD
Tel (44) 1709.724300
info@uk.danieli.com

SPAIN

Poligono Sondikalde
Calle Portu Bidea, 2
48150 Sondika - Vizcaya
Tel (34) 94.4872800
info@spain.danieli.com

INDIA

Technopolis Building
Plot 4, Block - BP, 5th Floor
Wing - B, Sector - V, Salt Lake
700 091 Kolkata - West Bengal
Tel (91) 33.39847777
info@india.danieli.com

GERMANY

Brunshofstrasse, 12
D-45470 Mülheim - Ruhr
Tel (49) 208.3780000
info@germany.danieli.com

THE NETHERLANDS

Rooswijkweg 291, 1951
ME Velsen-Noord
T +31 (0)251 500 500
F +31 (0)251 500 501
info@danieli-corus.com

TURKEY

1. OSB Istiklal Mahallesi
1. Cadde No. 15
Beykoy - Duzce
Tel (90) 380.5537110
info@turkey.danieli.com

INDIA

7000 Central Expressway,
Sri City
517588 Andhra Pradesh
Tel (91) 8576.304000
info@india.danieli.com

GERMANY

Scherl 12
D-58540 Meinerzhagen
Tel (49) 2354.70820
info@germany.danieli.com

SWEDEN

Nya Ågatan, 23
SE-77782 Smedjebacken
Tel (46) 240.668500
info@sweden.danieli.com

RUSSIA

Avtozavodskoe shosse 48
Nizhny Novgorod Region
606000 Dzerzhinsk
Tel (7) 8313.310310
info@russia.danieli.com

THAILAND

Land Plot N. K11
The Eastern Seaboard Ind. Estate
Tambol Pluakdaeng, Amphur
Pluakdaeng, 21140 Rayong
Tel (66) 38.929000
info@thailand.danieli.com

FRANCE

Les Mercuriales
F-93176 Bagnolet Cedex
Tel (33) 1.49722269
info@france.danieli.com

SWEDEN

Box 994
SE-85125 Sundsvall
Tel (46) 60.139400
info@sweden.danieli.com

CHINA

No. 19, Xing Gang Road, CEDZ
Changshu, Jiangsu 215513
Tel (86) 512 52267088
infodcs@china.danieli.com

USA

600 Cranberry Woods Drive
Suite 200
Cranberry Township, PA 16066
Tel (1) 724.7785400
info@usa.danieli.com

WORLDWIDE OFFICES AND SERVICE CENTERS**SWITZERLAND**

Olsbergerstrasse 2
4310 Rheinfelden
Tel (41) 61.8368310
info@switzerland.danieli.com

TURKEY

Adalet Mah. Manas Bulvari No. 47,
Folkart Towers, A Block, Ofis 3208,
35580 Bayrakli, Izmir
Tel (90) 232.4355577
info@turkey.danieli.com

INDIA

D-402 Lotus Corporate Park,
Ram Mandir Road,
Off Western Express Highway
Goregaon (E), Mumbai 400 063
Tel (91) 22.39917100
info@india.danieli.com

KOREA

Room 201, Daecheon Building
157-4 Samsung-dong
Gangnam-gu 135-090, Seoul
Tel (82) 2.5626622
info@korea.danieli.com

CANADA

P.O. Box 24062
Sault St. Marie
Ontario P6C 6G7
Phone (1) 705.9468779
info@canada.danieli.com

RUSSIA

Leningradskiy Prospekt 31A
Building 1, 24th Floor
125284 Moscow
Tel (7) 495.9819073
info@russia.danieli.com

EGYPT

76 Al-Moltaka Al-Arabi Dist.
11799 Sheraton Zone
Heliopolis, Cairo
Tel (20) 2.22699491
info@egypt.danieli.com

INDIA

Furnace Building
1, Taratala Road
Kolkata - 700024
Tel (91) 33.33013510
info@india.danieli.com

JAPAN

42F, Yokohama Landmark Tower
2-2-1, Minatomirai, Nishi-ku,
Yokohama-City
220-8142 Japan
Tel (81) 45.651.7077
info@japan.danieli.com

RUSSIA

Lenin str. 130, Office 109
Chelyabinsk Region
445038 Magnitogorsk
P.O. Box 322 Abu Dhabi
Tel (7) 3519.244043
info@russia.danieli.com

UAE

Najda Street, Old Nissan
Masaood Building, Flat 1003
P.O. Box 322 Abu Dhabi
Phone (971) 2.6812268
info@uae.danieli.com

THAILAND

Muang Thai-Phatra Office
16th Floor, Tower II
252-91 Rachadaphisek Road
Huaykwang - Bangkok 10310
Tel (66) 2.6933520
info@thailand.danieli.com

TAIWAN

26F-1, No. 31
Hai-Bian Road
Kaohsiung City, Taiwan 802
Tel (886) 7.3358655
info@taiwan.danieli.com

UKRAINE

Glinky Street 2, Office 301
49000 Dnipropetrovsk
Tel (380) 56.7904301
info@ukraine.danieli.com

KSA

Silver Tower 6th floor
P.O. Box 4867
Al-Khobar 31952
Tel (966) 3.8993145
info@ksa.danieli.com

VIETNAM

Lot A4b Industrial Park
Tan Thuan EPZ (E-Office Park)
Tan Thuan Dong Ward, District 9
Ho Chi Minh City
Tel (84) 8.35287400
info@vietnam.danieli.com

USA

114 Chesser Crane Road
Chelsea, AL 35043
Phone (1) 205.6787451
info@usa.danieli.com

MEXICO

Edificio Sierra Madre
Ave. Vasconcelos Oriente 310
Colonia del Valle
66250 Garza Garcia, N.L.
Tel (52) 81.83781055
info@mexico.danieli.com

BRAZIL

Rua George Rexroth, 609
Diadema
CEP 09951-270 São Paulo
Tel (55) 11.35085900
info@brazil.danieli.com